

Ecostat S

Thermostat for concealed installation for 2 functions

Surfaces: **Brushed Bronze** Article Number: **15758140**



Description

product features

- 2 functions
- volume control and diverter for 2 outlets
- maximum flow rate at 3 bar: 29 l/min
- flow rate upper outlet: 28 l/min
- flow rate lower outlet: 25 l/min
- thermostat cartridge, shut-off/ diverter valve
- safety lock at 40° C
- temperature limitation adjustable
- connection type: basic set
- min. operating pressure: 1 bar
- max. operating pressure: 10 bar

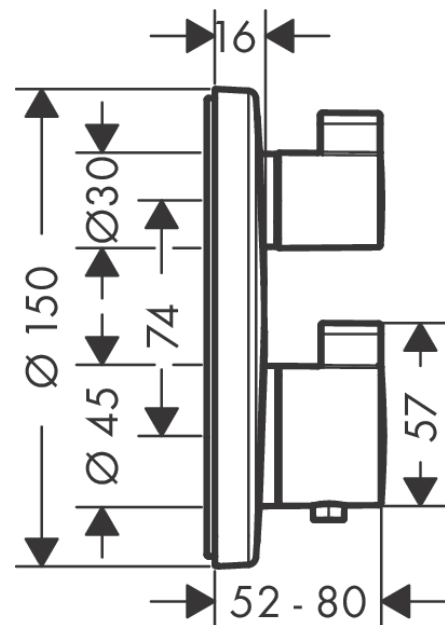
Design awards



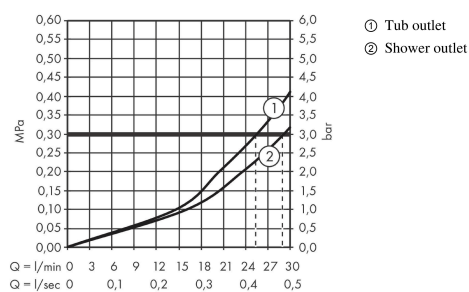
Product image



Scale drawing



Flowchart



Ecostat S

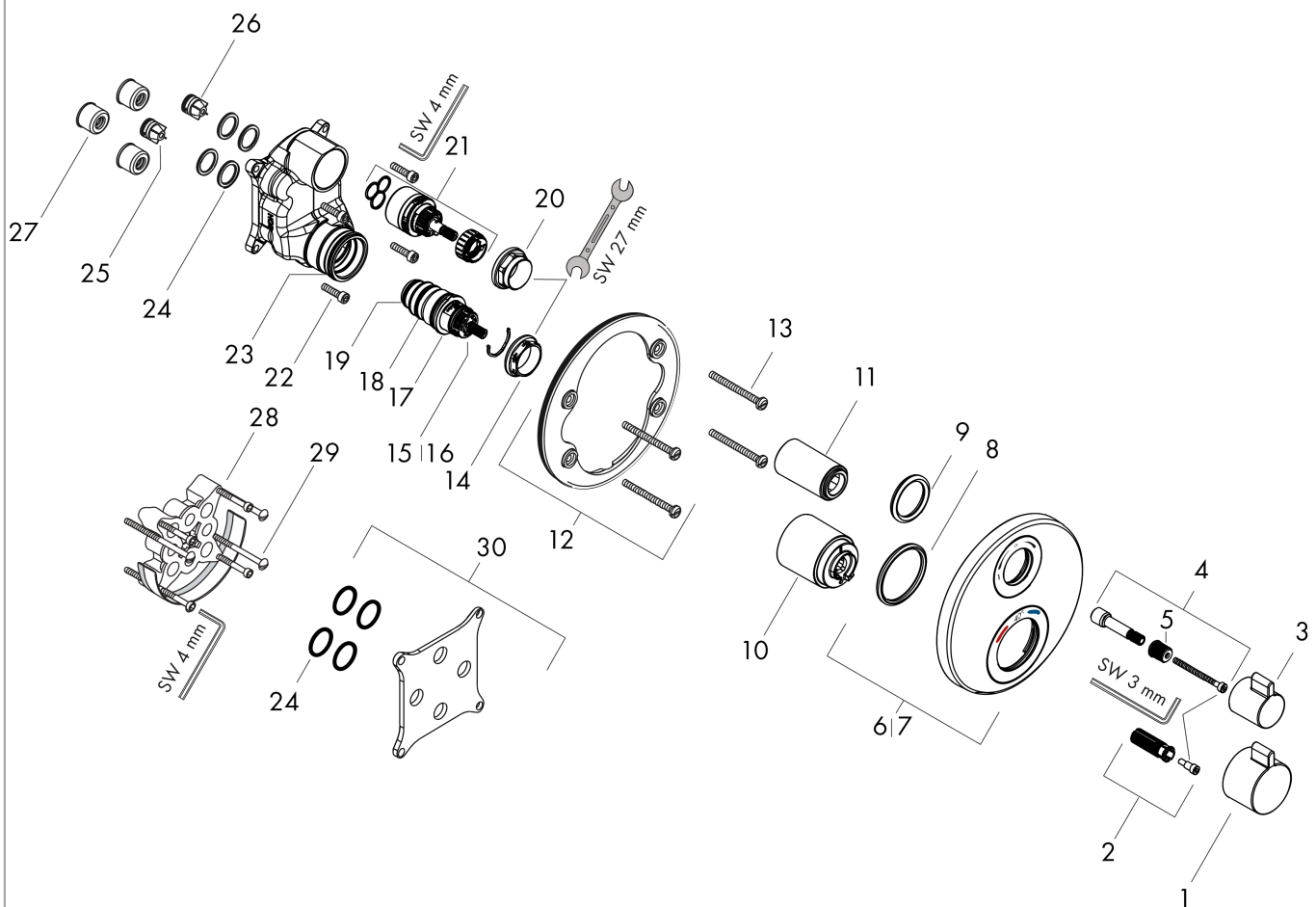
Thermostat for concealed installation for 2 functions

Surfaces: **Brushed Bronze** Article Number: **15758140**



Exploded Drawing

Year of production: >06/20



Ecostat S

Thermostat for concealed installation for 2 functions

Surfaces: **Brushed Bronze** Article Number: **15758140**



Spare part list

Year of production: >06/20

| Pos. | Description | Article Number | Price | PU |
|------|---|----------------|-------|----|
| 1 | handle for thermostat | 92215140 | - | 1 |
| 2 | handle fixing set | 95843000 | - | 1 |
| 3 | handle | 92281140 | - | 1 |
| 4 | adapter for handle | 95252000 | - | 1 |
| 5 | handle fixing set | 98932000 | - | 1 |
| 6 | escutcheon Ø 150 mm | 92283140 | - | 1 |
| 7 | escutcheon for exchanged connections | 92563XXX | - | - |
| 8 | O-ring 44x4 | 98471000 | - | 1 |
| 9 | O-ring 30x5 | 98153000 | - | 1 |
| 10 | sleeve | 92216140 | - | 1 |
| 11 | sleeve | 95253140 | - | 1 |
| 12 | holder for escutcheon | 98793000 | - | 1 |
| 13 | set of fixing screws | 96454000 | - | 1 |
| 14 | nut | 98913000 | - | 1 |
| 15 | thermostat cartridge | 98282000 | - | 1 |
| 16 | cartridge for exchanged connections | 92373000 | - | 1 |
| 17 | O-ring 25x2,5 | 92146000 | - | 1 |
| 18 | O-ring 25x1,5 | 98146000 | - | 1 |
| 19 | O-ring 20x1,5 | 98197000 | - | 1 |
| 20 | nut | 95255000 | - | 1 |
| 21 | shut off unit with selector | 98283000 | - | 1 |
| 22 | set of screws | 96525000 | - | 1 |
| 23 | O-ring 36x2 | 98156000 | - | 1 |
| 24 | O-ring 16x2 | 98133000 | - | 1 |
| 25 | non return valve (pressure-resistant up to 2 MPa) | 92594000 | - | 1 |
| 26 | set of non return valves DW 15 | 97350000 | - | 1 |
| 27 | noise reduction | 94073000 | - | 1 |
| 28 | extension 25 mm | 13595000 | - | 1 |
| 29 | set of fixing screws | 97747000 | - | 1 |
| 30 | compensation set 1° | 95521000 | - | 1 |
| a | concealed item | 01800180 | - | 1 |